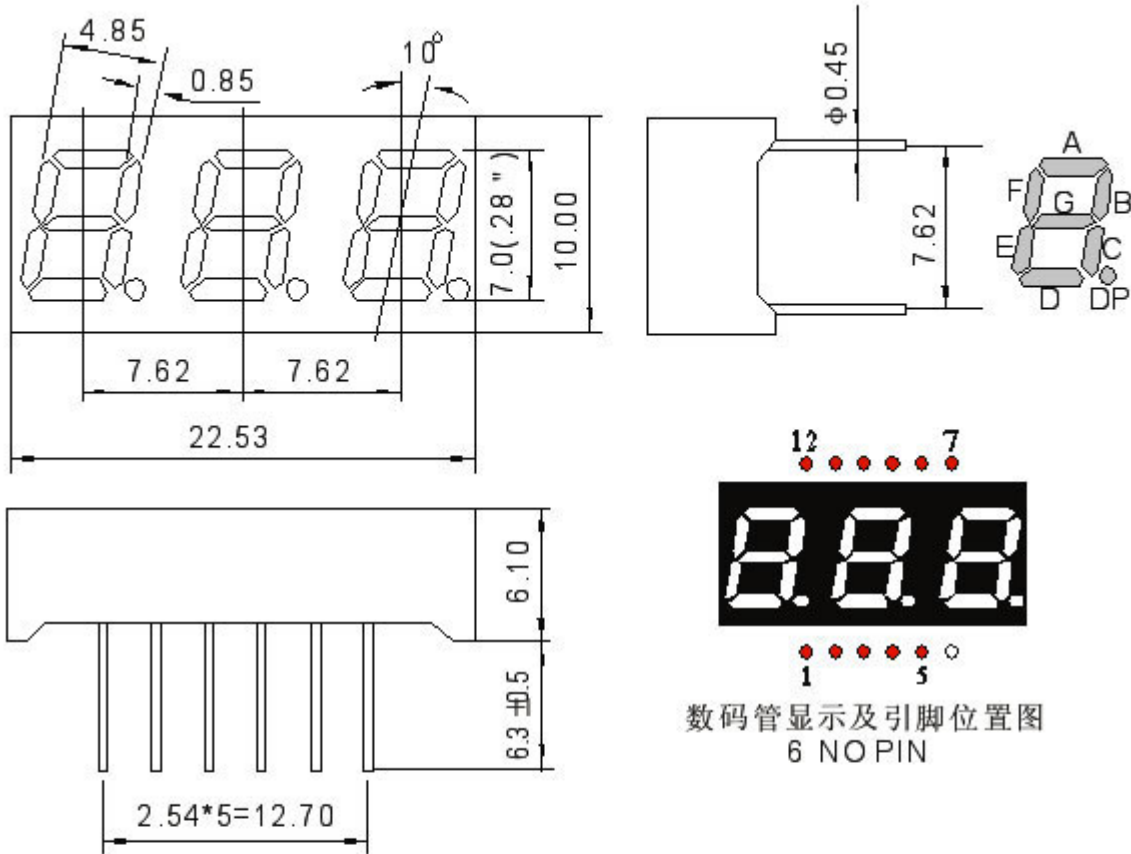
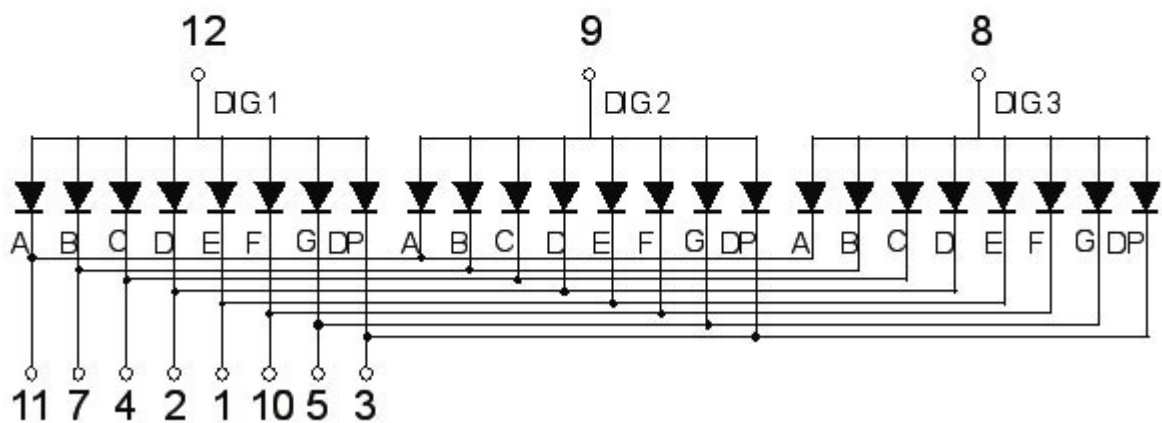


Package Dimension

[参考資料]



数码管显示及引脚位置图
6 NO PIN



Notes: 共阳红色有点

1. All dimensions are in millimeters(inches);
2. Tolerance is±0.5(.010")mm unless otherwise noted
3. Specifications are subject to change without notice

Electrical Optical Characteristics at Ta=25°C

[参考資料]

Notes:

Parameter	Symbol	Min	Typ	Max	Unit	Test Condition
Luminous Intensity	IV	30	35	40	mcd	IF=20mA(Note1)
Peak Emission Wavelength	λ	-	-	-	nm	IF=20mA
Dominant Wavelength	λ	630	635	640	nm	IF=20mA(Note2)
Spectral Line Half-Width	$\Delta\lambda$	-	-	-	nm	IF=20mA
Forward Voltage	VF	1.60	1.83	2.20	V	IF=20mA
Reverse Current	IR	-	-	10	uA	VF=5V

- 1、 Luminous intensity is measured with a light sensor and filter combination that approximates the CIE eye-response curve.
- 2、 The dominant wavelength (λ_d) is derived from the CIE chromaticity diagram and represents the single wavelength which defines the color of the device.

Absolute Maximum Ratings at TA=25°C

Power Dissipation per segment	MAX	Unit
Peak Forward Current per segment	100	mW
Continuous Forward Current per segment (1/10Duty Cycle,0.1ms Pulse Width)	100	mA
Continuous Forward Current per segment	20	mA
Derating Linear From 25°C	0.4	mA/°C
Reverse Voltage	5	V
Operating Temperature Range	-40°Cto +80°C	
Storage Temperature Range	-40°Cto +80°C	
Lead Soldering Temperature	240°Cfor 3 Seconds	